

4

3

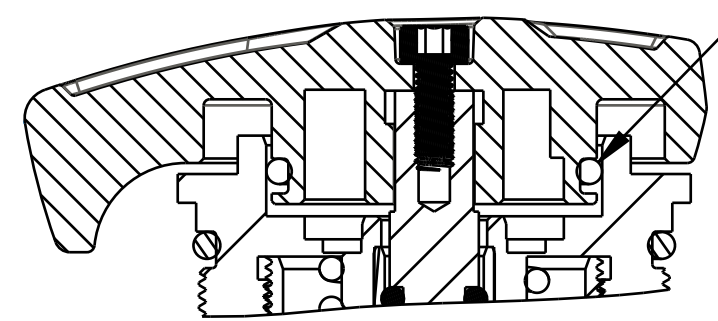
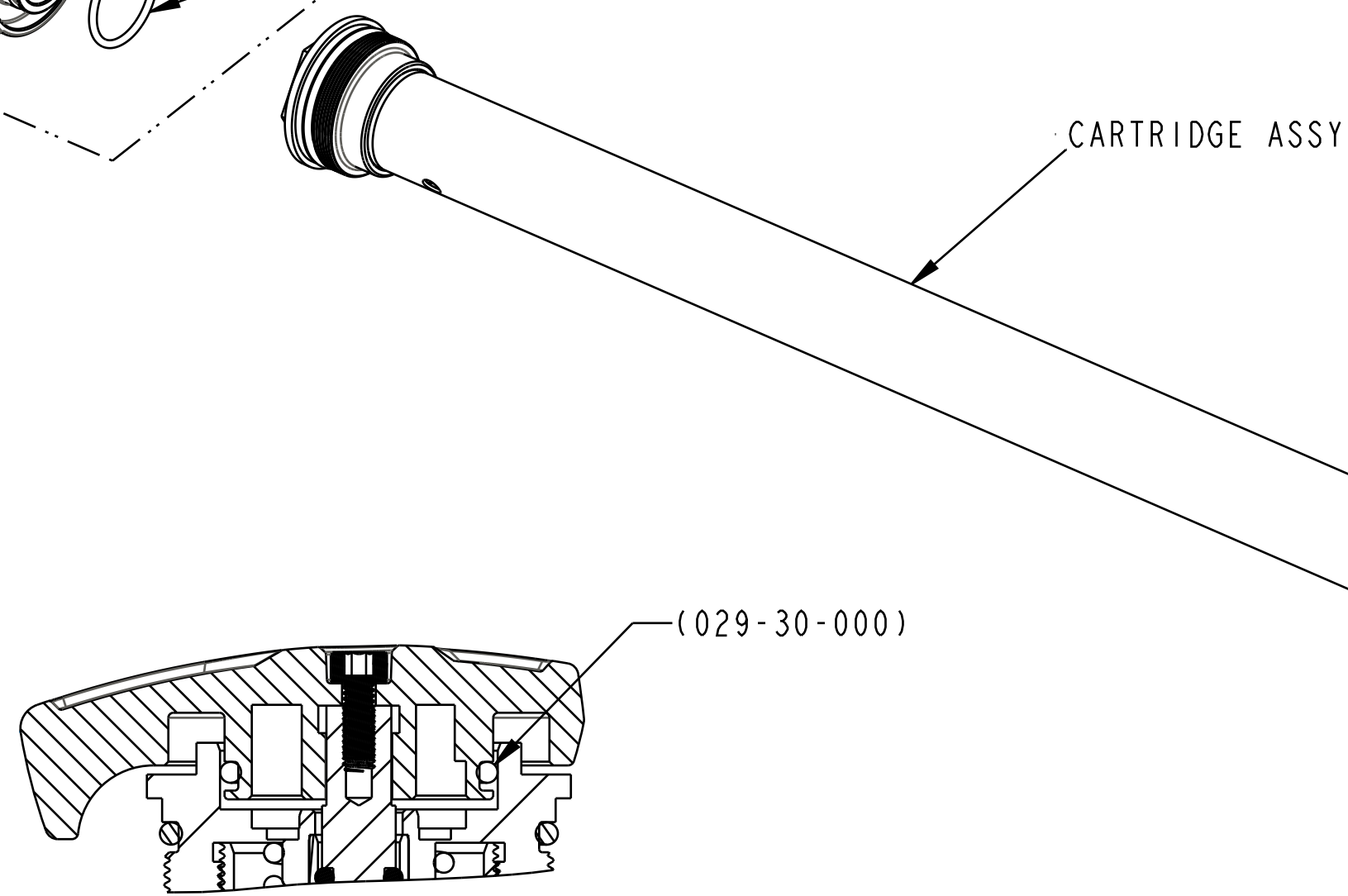
2

1

- 019-01-115  
Fastener Standard (Metric): Screw, Socket Head, M2.5 X 8
- 210-24-475  
Damping Adj Part: Knob, Comp Selector, Grip, 36 Rhythm
- 820-05-553-KIT  
2019 Grip 34 & 36 Rhythm Topcap Interface Parts
- 029-30-000  
Seals: O-Ring Custom: [1.066 C.S. X .742 ID] N-70, Static

TORQUE:  
4±1 IN.LB.

GREASE:  
THIN LAYER  
OF SLICK HONEY



SECTION A-A  
SCALE 2.000

CARTRIDGE ASSY

- 820-05-518-KIT  
2019 36 Grip Bottom Stud Interface Parts

- 018-01-004-A  
Fastener, Standard: Screw [#8-32 X 0.250 TLG]  
303 SS, Socket Set Half Dog Point

TORQUE:  
150±7 in-lb

TORQUE:  
5±.5 in-lb

LOCTITE:  
BLUE 242 OR 243  
ONE DROP

- 241-01-011  
Fastener, Custom: Crush Washer, Plastic, 13mm

- 241-00-022  
Fastener, Custom: Nut, Bottom, 011

- 029-08-053  
Seals: O-Ring [15mm ID x 1.5mm CS] Metric, N-70, Static

- 210-03-178  
Knob, Rebound, 2-Stroke, Knurled, M10 Nut

- 241-00-043  
Fastener, Custom: Cover, Nut, Rhythm 36

**FOX** FOX Factory, Inc. Ph 831-768-1100  
130 Hangar Way, Watsonville, CA 95076 USA Fax 831-768-9312

TITLE  
**2019 36 Rhythm Grip  
Cartridge Assemblies Complete**

SIZE DWG. NO.  
**C**  
PLOT SCALE 0.75:1 SHEET 1 OF 2

PROPRIETARY  
THIS DOCUMENT CONTAINS CONFIDENTIAL, PROPRIETARY INFORMATION  
THAT IS FOX PROPERTY. DO NOT DISCLOSE TO OR DUPLICATE  
FOR OTHERS EXCEPT AS AUTHORIZED BY FOX.

4

3

2

ProE ASSEM